



THE PEGGS COMPANY, INC.

*Designers & Manufacturers of
Retail Solutions for over 50 years*

KNM440 Jumbo OTC Cart

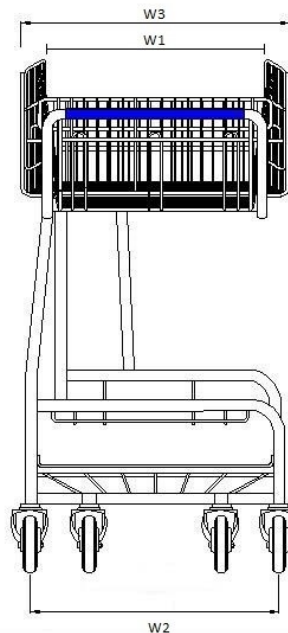
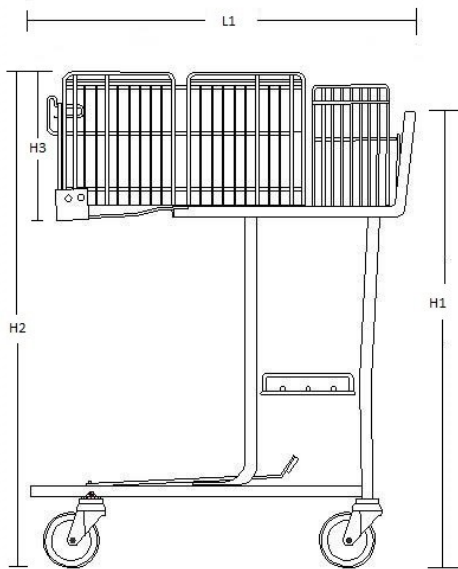
Large metal shopping basket designed to be used for over-the-counter equipped check stands. Front gate drops down to provide easy access to groceries for unloading.

Product Specifications

Total Capacity: 19,400 cu.in.

Basket Capacity: 8,600 cu.in.

Nesting Distance: 12.25"



- W1: 18.75"**
- W2: 24.00"**
- W3: 24.00"**
- L1: 36.00"**
- H2: 44.75"**



Available in any color finish or texture. Meets all ASTM F2372-04 Standards

Optional Accessories:

- Cup holder, coupon/phone convenience tray, purse hook, etc.
- P&H Super Wheels, TPE Soft and Quiet Runner Wheels.
- Cart containment systems: Gatekeeper Cartrronics, Rocateq, etc.

